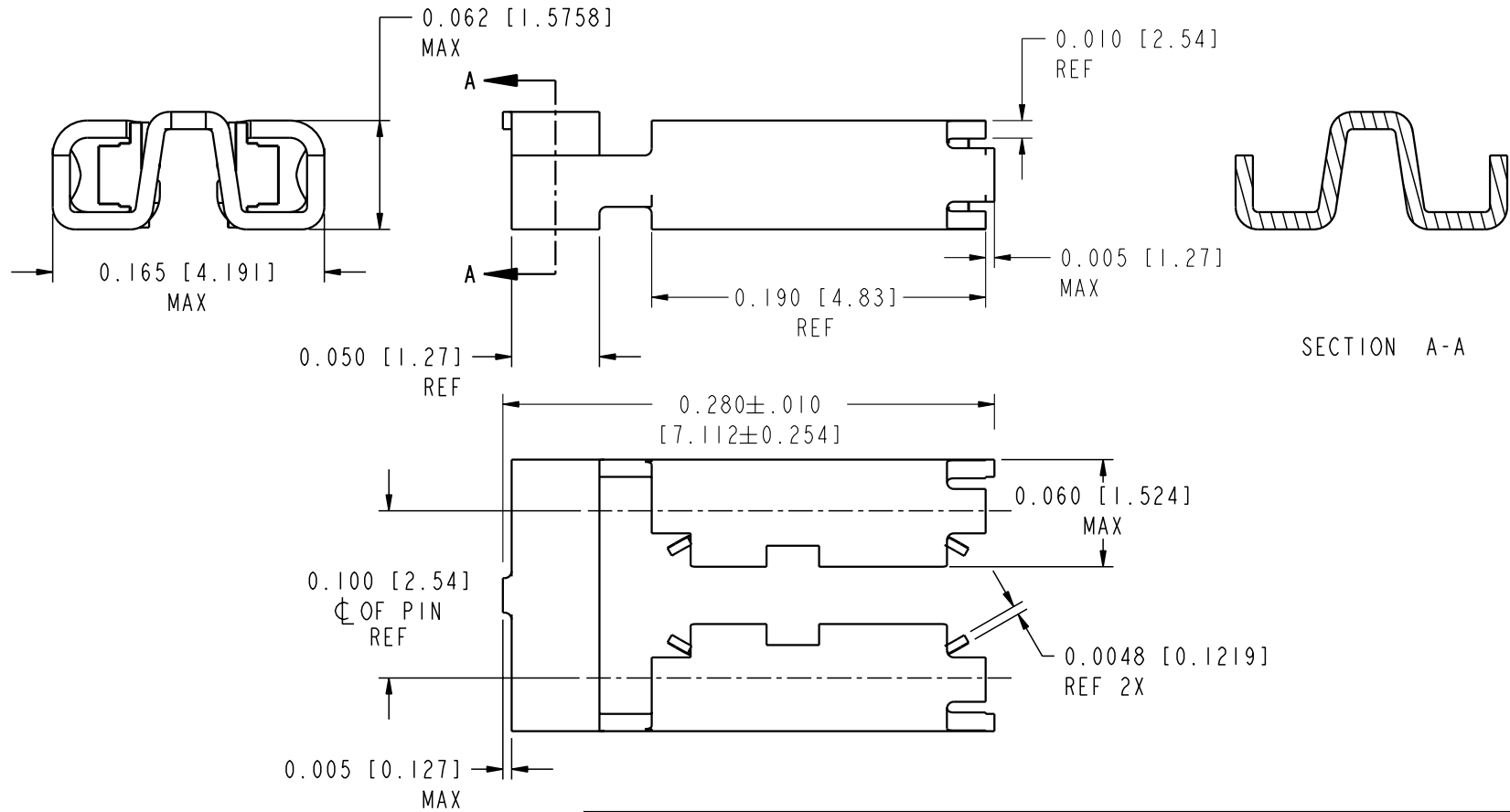


Tous droits strictement réservés. Reproduction ou communication o des tiers interdite sous quelque forme que ce soit sans autorisation écrite du propriétaire. Propriété de c FCI. Droits de reproduction FCI.

All rights strictly reserved. Reproduction or issue to third parties in any form, whatever is not permitted without written authority from the proprietor. Property of FCI. Copyright FCI.

PRODUCT NUMBER	TERMINAL BODY	TERMINAL SPRING
75630-001	1/4 HARD BRASS w/GOLD FLASH 40u"/1.02u Au IN CONTACT AREA	.0048/.122 THK. Be-Cu w/ GOLD FLASH
75630-002	1/4 HARD BRASS W/TIN-LEAD PLATING	.0048/.122 THK. Be-Cu w/ TIN PLTG.
75630-003	OBSOLETE	OBSOLETE
75630-004	1/4 HARD Cu Ni w.001/.03 MIN. GOLD DOT	0.0048/.122 THK. Be-Cu w/ GOLD FLASH



mat'l code				tolerances unless otherwise specified		CUSTOMER	FCI		
ltr	ecm no.	dr	date	linear	.XX ± .01/0.X ± 0.3	COPY	www.fciconnect.com		
A	APPROVED	DH	5/5/76	linear	.XXX ± .005/0.XX ± 0.13	projection	title 0.100 [2.54] Ø		
B	OBS -003	DH	3/1/77	angles	.XXXX ± .0005/0.XXX ± 0.013		MINI JUMP TERMINAL		
C	V03-0151	LP	5/30/03	angles	0 ± 2°		product family	MNI - JUMP	code
				dr	L.POTTEIGER 5/30/03		size	MNI - JUMP	code
				enr	H.SUNDY 5/30/03		dwg no	75630	213
				chr	H.SUNDY 11/12/01	scale	A	sheet	1 of 1
				appd	H.SUNDY 5/30/03	10:1			
sheet index	revision sheet	C							
		I							

Pro/E

cage code 22526

PDM: Rev:C

STATUS: Released

Printed: Dec 05, 2007